

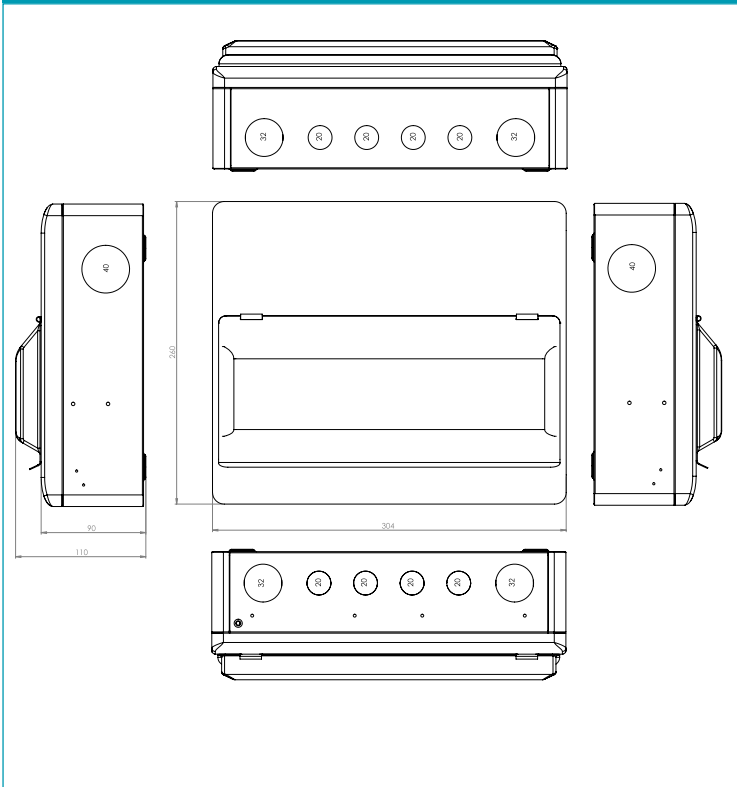
niglon

Circuit Protection

PCU1412M Isolator Controlled Consumer Unit Right hand Incomer



Technical Drawing



Technical Specifications

| | |
|--|--|
| Material Composition | Steel (Powder Coated) |
| Configurations | 14 Module 12 Free Ways 100A DP Isolator |
| Rated Operational Voltage (Un/Ue) | 230V AC |
| Rated Current of Assembly (InA) | 100A |
| Rated Frequency | 50Hz |
| Main Switch Terminal Capacity | 35mm ² |
| IP Rating (Ingress Protection) | IP20 |
| IK Rating (Impact Protection) | IK05 |
| Dimensions | 304 (W) x 260 (H) x 110mm (D) |
| Standards | BS7671:2018, BS EN61439-3 |
| 100A Mains Isolator Manufactured to | EN60947:3 |
| Certification | Semko, CE, UKCA |

All specifications are SEMKO Certified