



OPERATING INSTRUCTIONS FOR:

MDX14



Visit woods.se for more information and updated instruction manuals.

For extended warranty register your product at warranty-woods.com

GB	<i>Operating Instructions</i>	NL	<i>Gebruiksaanwijzing</i>
SE	<i>Bruksanvisning</i>	PL	<i>Instrukcja obsługi</i>
NO	<i>Bruksanvisning</i>	RO	<i>Manual utilizare</i>
DK	<i>Betjeningsvejledning</i>	LT	<i>Naudojimosi instrukcija</i>
FI	<i>Käyttöohjeet</i>	LV	<i>Lietošanas instrukcija</i>
DE	<i>Bedienungsanleitung</i>	EE	<i>Kasutusjuhend</i>
FR	<i>Guide d'instructions</i>	GK	<i>Greek</i>
ES	<i>Manual de instrucciones</i>	IS	<i>Icelandic</i>

Visit our website to:

Get usage advice, updated brochures, trouble shooter and service information.

Register your product for additional services:
www.warranty-woods.com

CUSTOMER CARE AND SERVICE

Always use original spare parts.
When contacting our Authorised Service Centre, ensure that you have the following data available: Model number, receipt and serial number.

Warning / Caution-Safety information.
General information and tips.
Environmental information.
Subject to change without notice.

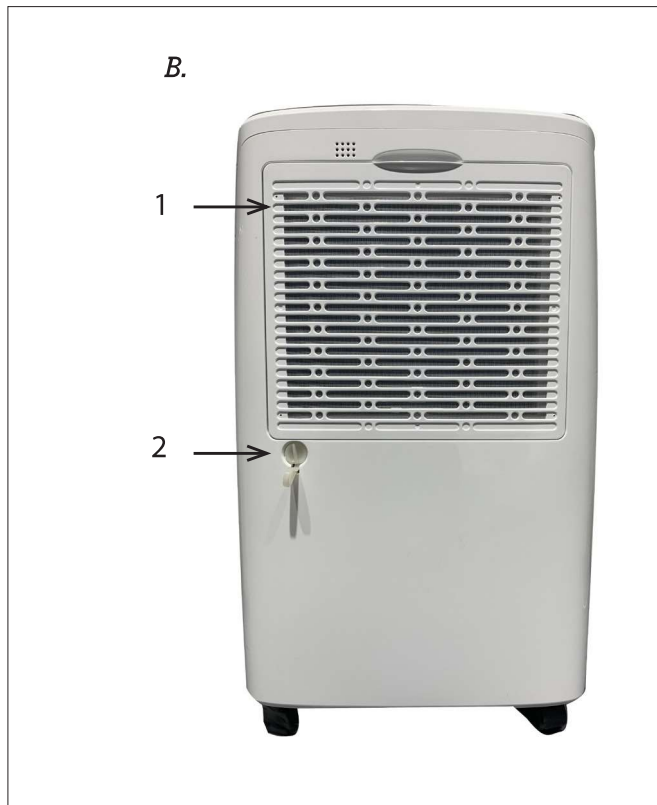
CONTENTS:

PAGE NO.

TABLE OF CONTENTS

OPERATING INSTRUCTIONS

English	08-14
Swedish	15-21
Norwegian	22-28
Danish	29-35
Finnish	36-42
German	43-49
French	50-56
Spanish	57-63
Dutch	64-70
Polish	71-77
Romanian	78-84
Lithuanian	85-91
Latvian	92-98
Estonian	99-105
Greek	106-112
Icelandic	113-119

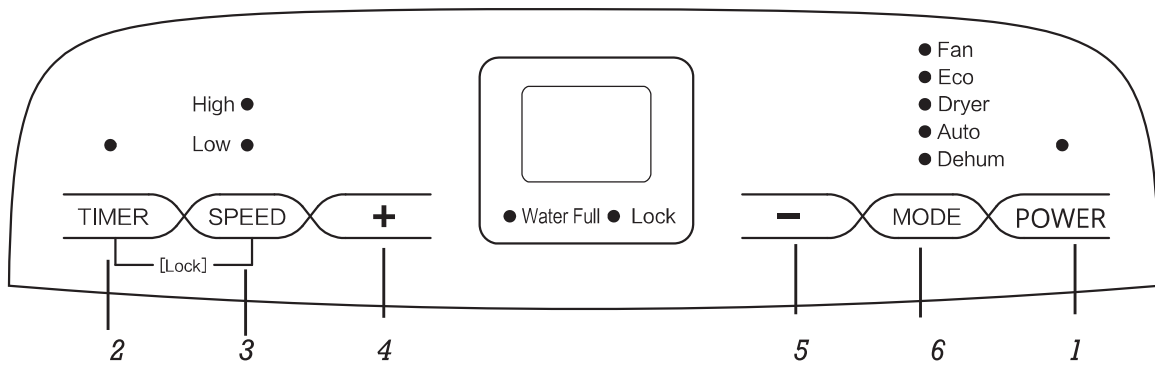


D.

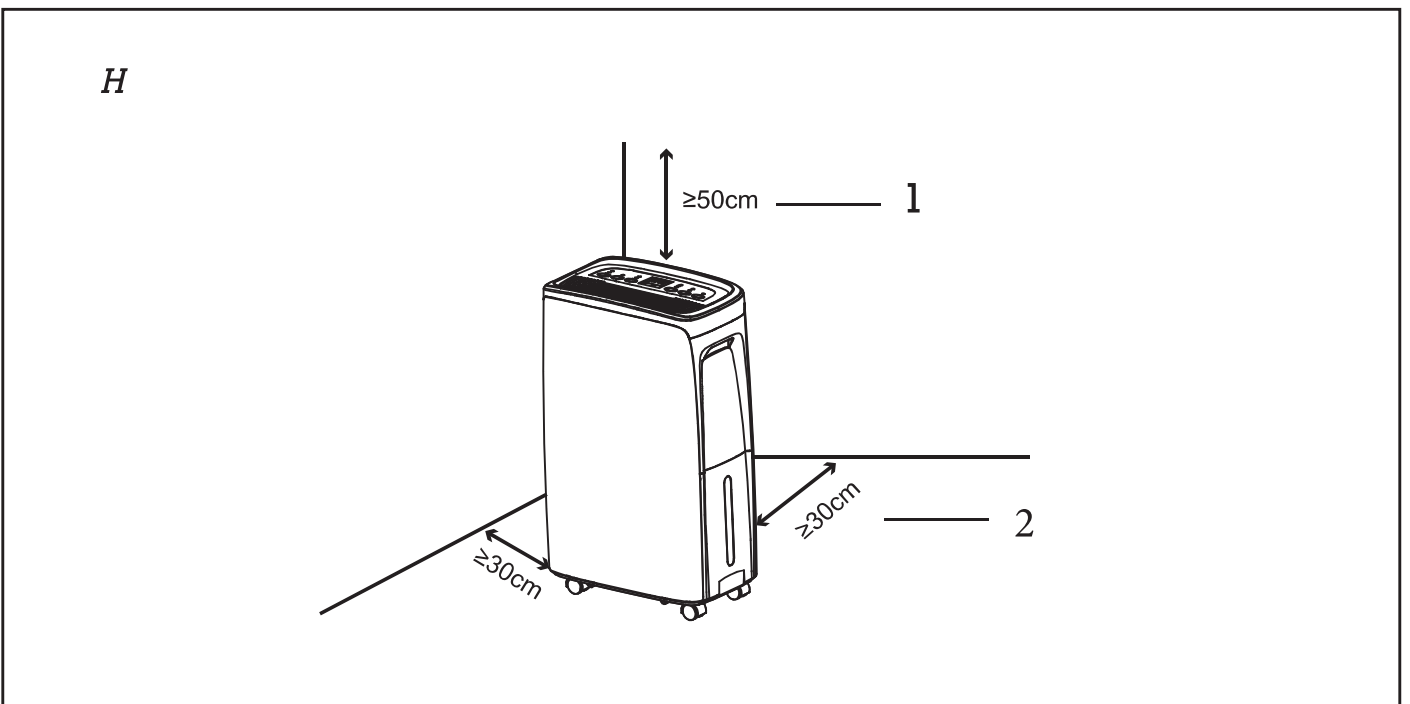
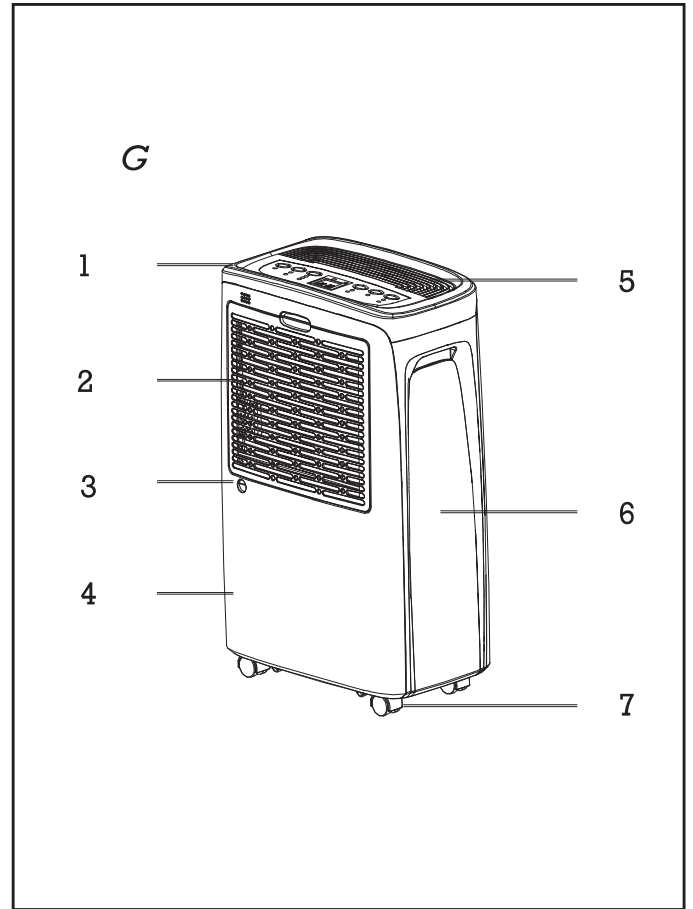
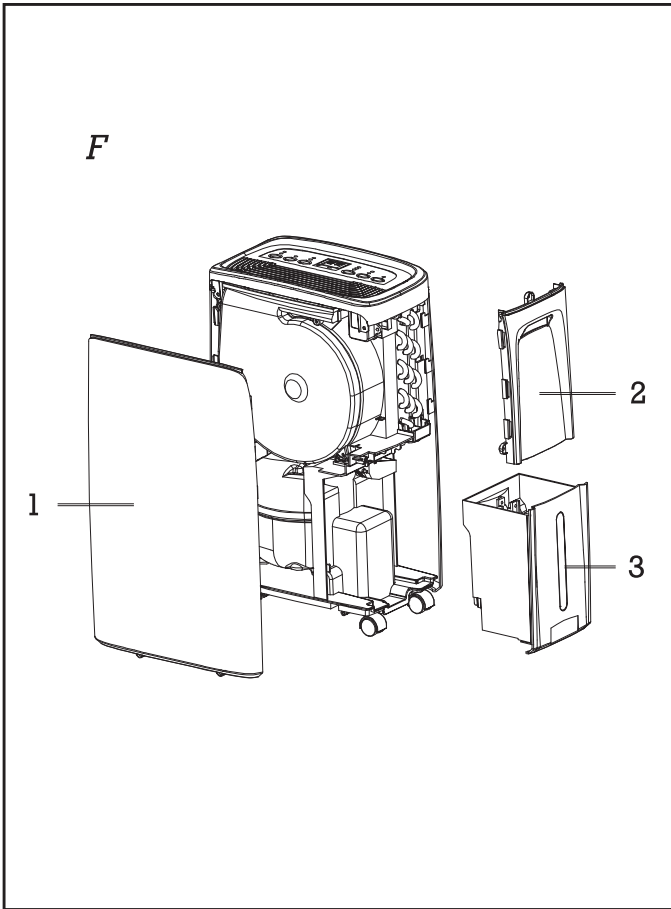
1 →



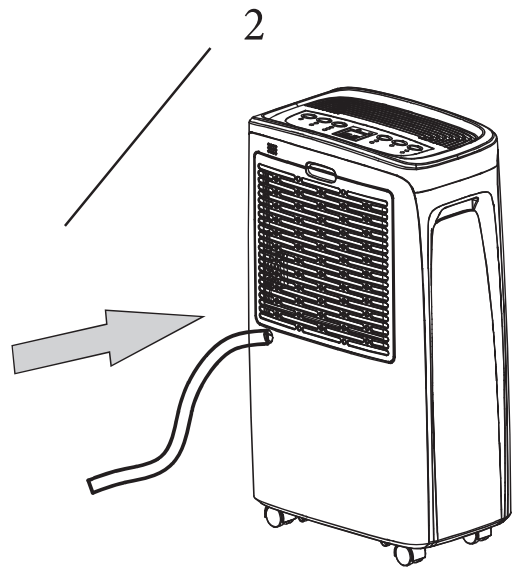
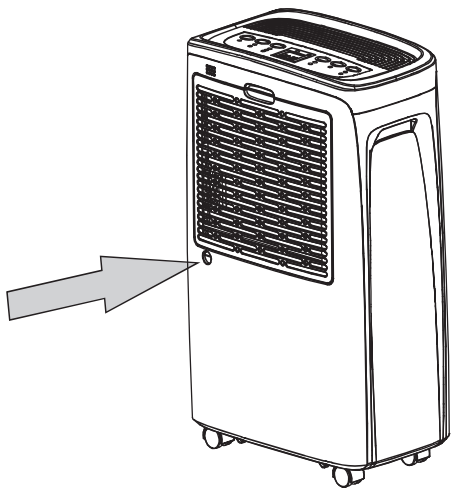
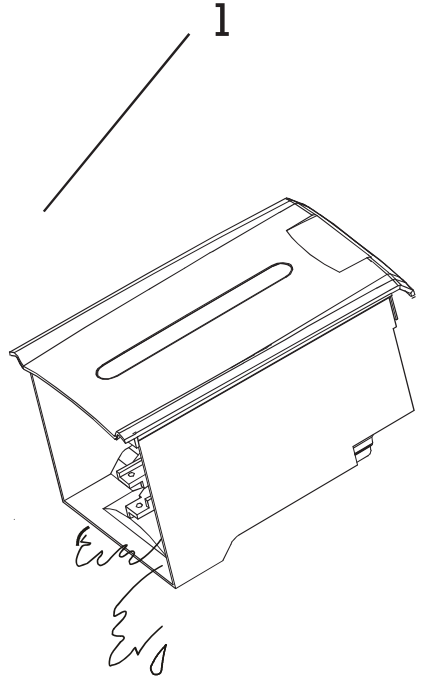
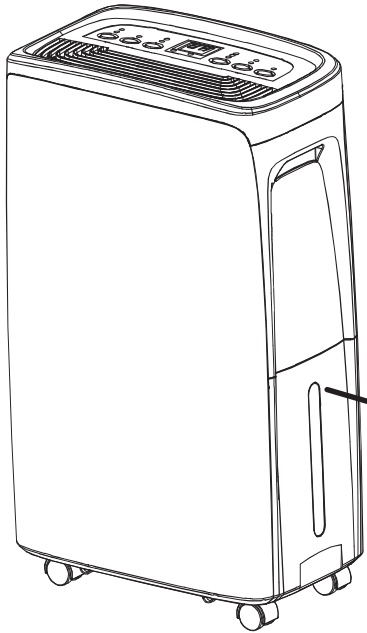
E.



PRODUCT DESCRIPTION



1



WOOD'S ONE OF THE WORLD'S LEADING DEHUMIDIFIERS

Wood's dehumidifier have been known as market leaders for many years. Their dehumidifiers are suitable for use in the most demanding climates, where dehumidifying capacity is good even at different temperatures and humidity levels. They are used with good results in premises that become damp such as cellars, garages or summer house. They are also excellent for drying washing, attics, pool rooms and laundry. Being efficient and low on energy consumption. Does not wear out clothes.

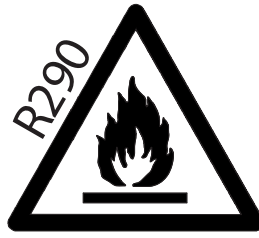
The amount of humidity that the dehumidifier removes depends on the temperature, humidity level and placement. External weather conditions may also affect the performance of the dehumidifier. In cold weather the absolute humidity decreases and thus the extraction of humidity from the air by the dehumidifier is reduced.

Wood's dehumidifiers are safe in operation and intended for continuous use over many years.


EXCESSIVE AIR HUMIDITY – A DANGER

Condensation occurs when water vapour in the air comes into contact with a cold surface such as cold window or wall. When water vapour is cooled down, condensation occurs, and water-drops are formed. In high air humidity, the air may get musty and mould might get formed, causing damage to a house and its furnishings. This environment may even cause illness for the residents. Mites and spiders also thrive in a damp environment. A dehumidifier with high performance creates a good, healthy humidity level. For greatest efficiency the doors and windows of rooms that are being dehumidified should be kept closed. Removes odours, dries wood and removes moisture from outdoors equipment.

1. SECURITY WARNINGS 



Flammable material. This appliance contains R290/Propane a flammable refrigerant.

 Refer to this manual for safety information.

 Read technical manual

 Read operators manual.

SAFETY INFORMATION

Before the installation and use of the appliance, carefully read the supplied instructions. The manufacturer is not responsible if an incorrect installation and use causes injuries and damages. Always keep the instructions with the appliance for future reference.

Children and vulnerable people safety

WARNING 

Risk of injury or permanent disability. This appliance can be used by children aged 8 years and above and persons with reduced physical, sensory or mental capabilities or lack of experience and knowledge if they have been given supervision or instruction concerning use of the appliance in a safe way and understand the hazards involved.

Do not let children play with the appliance.

Children of less than 3 years should be kept away unless continuously supervised.

Keep all packaging away from children.

Cleaning and user maintenance shall not be made by children without supervision.

General Safety

This appliance is intended to be used in household and similar applications such as: – basements, crawl spaces; staff kitchen areas in shops, offices and other working environments. The rating plate is located at the back or the side of the dehumidifier.

Keep ventilation openings clear of obstruction.

Do not use mechanical devices or other means to accelerate the defrosting process, other than those recommended by the manufacturer.

The appliance shall not be stored in a room with operating ignition sources (for example; open flames, an operating gas appliance or an operation electric heater. Do not pierce or burn.

Be aware that refrigerants may not contain an odour. Do not use water spray and steam to clean the appliance. Clean the appliance with a moist soft cloth. Only use neutral detergents. Do not use abrasive products, abrasive cleaning pads, solvents or metal objects.

If the supply cord is damaged, it must be replaced by the

manufacturer, its Authorised Service Centre or similarly qualified persons in order to avoid a hazard.

SAFETY INSTRUCTIONS

Installation

WARNING



Only a qualified person must install this appliance.

Remove all the packaging.

Do not install or use a damaged appliance. The appliance shall be installed, operated and stored in a room with a floor area larger than 2 m². Obey the installation instruction supplied with the appliance.

Always be careful when you move the appliance because it is heavy.

Always wear safety gloves.

Make sure the air can circulate around the appliance.

Wait at least 4 hours before connecting the appliance to the power supply. This is to allow the oil to flow back in the compressor. Do not install the appliance close to radiators or other heat sources. Do not install the appliance where there is direct sunlight.

Electrical connection

WARNING



Risk of fire and electrical shock.

The appliance must be connected to a grounded outlet.

Make sure that the electrical information on the rating plate matches with the power supply. If not, contact an electrician.

Always use a correctly installed shockproof socket.

Do not use multi-plug adapters

and extension cables.

Make sure not to cause damage to the electrical components (e.g. mains plug, mains cable).

Contact the Authorised Service Centre or an electrician to change the electrical components.

The mains cable must stay below the level of the mains plug.

Connect the mains plug to the mains socket only at the end of the installation.

Make sure that there is access to the mains plug after the installation.

Do not pull the mains cable to disconnect the appliance. Always pull at the mains plug.

Use

WARNING



Risk of injury, burns, electrical shock or fire.

Do not change the specification of this appliance.

Be careful not to cause damage to the refrigerant circuit. It contains propane (R290), a natural gas with a high level of environmental compatibility. This gas is flammable.

If damage occurs to the refrigerant circuit, make sure that there are no flames and sources of ignition in the room. Ventilate the room.

Do not put flammable products or items that are wet with flammable products near or on the appliance.

Disposal

WARNING



Risk of injury.

Disconnect the appliance from the mains supply.

Cut off the mains cable and discard it.

The refrigerant circuit of this appliance is ozone-friendly.

Contact your municipal authority for information on how to discard the appliance correctly.

Do not cause damage to the part of the cooling unit that is near the heat exchanger.

SET UP DEHUMIDIFIER FOR INSTALLATION

IMPORTANT:

2. Installation

BEFORE FIRST USE

Let the machine stand for 4 hours before use
Selecting a Location

Important

1. The dehumidifier must be operated in an enclosed area to be most effective. Close all doors, windows, and other outside openings to the room. The effectiveness of the dehumidifier depends on the rate at which humid air enters the room.
2. Place dehumidifier in a location that does not restrict airflow through the front of the unit.
3. A dehumidifier operating in a room will have little or no effect in drying an adjacent enclosed storage area, such as a closet, unless there is adequate circulation of air in and out of the area. It may be necessary to install a second dehumidifier in the enclosed area for satisfactory drying.
4. Ensure that the unit is placed on a stable and flat surface. If the surface is not stable there is a risk of excessive vibration and that water to leak.
5. There should be a minimum of 30 cm clear around the unit.

PRODUCT DESCRIPTION

3. Product description

A

1. Front shell
2. Casters
3. Top panel

B

1. Filter
2. Continuous drain port

C

1. Water tank

D

1. Top panel

E

Control panel

1. POWER button: Start or stop the unit
2. TIMER button: Set the timer, query timer and cancel timer.
3. SPEED button: Fan will run at low speed or high speed.
4. UP button: Adjust the humidity or timing.
5. DOWN button: Adjust the humidity or timing.
6. MODE button: Fan --- Eco --- Dryer --- Auto --- Dehumidification

F

1. Front shell
2. Right shell
3. Water tank

G

1. Control panel
2. Filter
3. Continuous drain port
4. Rear shell
5. Air outlet
6. Left shell
7. Caster

H

1. Keep the top panel from other objects at least 50cm.
2. Keep a distance of above 30cm between the machine and the surrounding objects or walls.

I

1. Manual drainage
2. Continuous drainage

PLACEMENT OF DEHUMIDIFIER

- The dehumidifier should not be placed near radiators or other heat sources or exposed to direct sunlight, as it will reduce performance.
- Ideal is to put it in the centre of the room / area.



NOTE: When placed in a shower room or bathing area, the dehumidifier should be fixed in place. It is compulsory to check and respect your local bathroom electrical regulations before use.

USING THE DEHUMIDIFIER

If the dehumidifier is transported horizontally, let the dehumidifier stand for a 4 hours before being used. It is very important that the oil runs back into the compressor, otherwise the dehumidifier may be seriously damaged.

1. Check that the water reservoir is correctly placed.
2. Connect the dehumidifier to a grounded power source.
3. Set the function or desired humidity level. See the section on the humidity control.

OPERATION MANUAL

1. Power Button: This button can control the machine on and off.
2. Mode Button: Press to select the desired mode. It can switch to Normal dehumidification, Eco dehumidification, Auto dehumidification, Ventilation mode and Dry clothes mode.

ECO MODE

When the unit works at ECO MODE, the default humidity level is RH60%.

- a) When the ambient humidity $\geq 60\%$, the

unit will work as dehumidification, the fan speed is not adjustable.

- b) When the ambient humidity $< 60\%$, the unit will work as fan, the fan speed is not adjustable.

- c) The humidity level is not adjustable.

FAN MODE

Under this mode, compressor shall not work, fan works in low speed by default for ventilation only, fan speed is adjustable, humidity level can't be set, ambient humidity level (30-90%RH) will indicated on display panel.

DRY MODE

Under this mode, compressor will continuously work and fan runs at high speed regardless room humidity. Three minutes delay protection function of compressor is applicable, fan speed and humidity level can't be adjusted, ambient humidity level (30-90%RH) will indicated on display panel.

AUTO MODE

When the unit works at AUTO MODE, the default humidity level is RH50%

- a) When the ambient humidity $\geq 70\%$, the unit will work as strong dehumidification, the fan speed is not adjustable.

- b) When $50\% \leq$ the ambient humidity $< 70\%$, the unit will work as weak dehumidification, the fan speed is not adjustable.

- c) When the ambient humidity $< 50\%$, the unit will work as fan in low speed, the fan speed is not adjustable.

- d) The ambient humidity level (30-90%RH) will indicated on display panel, the humidity is not adjustable.

DEHUMIDIFICATION MODE

The unit will work at dehumidification mode when power-on for the first time or choose by mode conversion, the fan speed is defaulted high, press UP and DOWN to adjust the setting humidity (35-85%).

3. Humidity can be set between 35% - 85%(5% adjustment factor),

Humidity setting is only valid under dehumidification mode.

4. Timer: You can set how long the unit will run or when it will start. You can select 1-24 hours.
5. Fan Speed: The speed key is valid only in dehumidification mode and ventilation mode.
6. Child-lock: Press both "Timer" and "Speed" to set or shut off Child-lock function.

WATER DRAINAGE

When the water reservoir is full, the dehumidifier will shut off automatically.

1. Disconnect the dehumidifier from the power source.
2. Empty the water reservoir.
3. Put the empty water reservoir back and check that the float moves freely.
4. Connect the dehumidifier to the power source.

Direct water drainage

Connect a water hose to the pipe on the back of the dehumidifier. Lead the other end to a drain. Make sure that the water can be drained downwards by gravity.

AIR FILTER

The air filter prevents dust and dirt from entering the machine, prolonging its life expectancy. It is important the filter is cleaned regularly.

Filter cleaning:

1. Remove the filter.
2. Wash it with warm water and a mild cleansing agent. Alternatively the filter may be vacuum cleaned.
3. Let the filter dry and put it back.

DEFROSTING OPERATION

The evaporator in the dehumidifier may defrost automatically if it is operated in the room temperature less than 18 °C. The defrosting device may start up and operate for some time (about 8 minutes) automatically every 40 minutes or even longer.

Please don't turn off the switch or pull out the power plug of the dehumidifier during the defrosting operation.

This dehumidifier doesn't have cooling function. It will produce heat during the operation and can increase the room temperature to 1 to 4°C.

MAINTENANCE

- Clean the unit with a soft moist cloth. Do not use solvents or strong cleaners as this might damage the surface of the unit.

SERVICE

If the dehumidifier requires servicing, you must first contact your local retailer.

WARRANTIES

2 years product warranty. Please note that the warranty is only valid upon the production of the receipt.

STORAGE

Before storage of the unit, please follow these steps:

1. Make sure the water tank is empty. When the unit is switched on, make sure the unit work at Ventilation mode for at least 30 minutes to remove the water inside the unit.
2. Collect and bundle the power cord.
3. Clean the filter.

4. Store in a clean, dry environment.

HINTS

When the dehumidifier is used in extremely damp environments or when the temperature is below +5°C, the dehumidifier will stop working. A large amount of ice builds up on the cooling coil. Turn off the dehumidifier and place it a little above floor level so that the ice will melt away.

Sometimes it may be useful to use a fan heater to make sure that the temperature does not fall below +10°C. Even if the MDX14 work down to temperatures as low as +5°C, its capacity will increase at higher temperatures as warm air carries more water.

The hydrostat has a margin of error of approx. +/- 5-10%. At lower temperatures, the margin of error might increase further.

Expect higher dehumidification capacity during Autumn / Summer because the outside air is warmer and more humid.

IMPORTANT! - Wood's dehumidifiers must be connected to an grounded power source. The power source should be 220V-240V 50Hz

PROBLEM	SOLUTION
Dehumidifier does not start	<ul style="list-style-type: none"> - Check that dehumidifier is connected to electricity and that fuse has not gone - If the warning light is on, check that the water reservoir is empty and correctly placed in the dehumidifier. Check that float is free
Does not dehumidify	<ul style="list-style-type: none"> - Check that fan is spinning - Check that air can flow freely through the dehumidifier. Top grid and air filter should be clean and dehumidifier should stand 30cm from walls. - Listen for sound of compressor, but bear in mind that the dehumidifier may stop, when the ambient humidity reach the setting humidity. - Check that a thick coating of ice has not formed on the cooling coils.
High noise level	<ul style="list-style-type: none"> - Increase distance between dehumidifier and surrounding surfaces - Cooling coils may be in contact with one another and cause vibration. Disconnect dehumidifier from electricity and separate coils.
Does not turn off when water reservoir is full	<ul style="list-style-type: none"> - It is important that the float moves freely in the water reservoir. If it does not, it will not respond to water levels and prevent dehumidifier from stopping
No water enters reservoir	<ul style="list-style-type: none"> - Check for obstruction to drip-tray above water reservoir
FL	<ul style="list-style-type: none"> - Water reservoir is full. Empty the water reservoir and put it back.
E1	<ul style="list-style-type: none"> - Temp-humidity sensor failure. Replace the temp-humidity sensor.

If none of the above works, you should contact your nearest retailer for checking and possible overhaul of dehumidifier.

TECHNICAL DATA

	MDX14
Max. working area	40m ²
Air flow step 1	100m ³ /h
Air flow step 2	120m ³ /h
Dehumidifying at 20°C and 70% r.h.	6,0 l/ 24h
Dehumidifying at 30°C and 80% r.h.	10 l/24h
Power at 20°C and 70% r.h.	180 W
Power consumption at 20°C and 70% r.h.	4,3kWh/24 h
Tank volume	1,5 liters
Refrigerant	R290
Charge R290	40 g
Voltage	220-240V
Frequency	50Hz
Current	1A
IP-Code	IPX2
Noise level in decibels	43dB
Weight	9,1 kg
Dimensions in mm, L x Bx H	293x183x493

*Technical changes and improvements may occur. All values are approximate and may vary due to external circumstances such as temperature, ventilation and humidity.



NOTE!

Register at www.warranty-woods.com and read about how to get extended warranty. Please visit www.woods.se for more information.

Recommended limits for use

Temp. +5°C to +35°C
 Relative humidity: 30% to 90%
 Recommended humidity level:
 appr. 50% RH

Guarantees

2 years consumer warranty against production faults. Please note that the warranty is only valid upon the production of the receipt. The warranty is only valid if the product is used in accordance with the instructions and security warnings expressed in this manual. The warranty does not cover any damages caused by improper handling of the product.

NOTE: The 2 years warranty only applies for consumers and not for commercial use of the unit.